



福津光电
PHOTONSTREAM

Optical fiber micro-processing
and thin film coating

To-Can Laser + Lensed Fiber

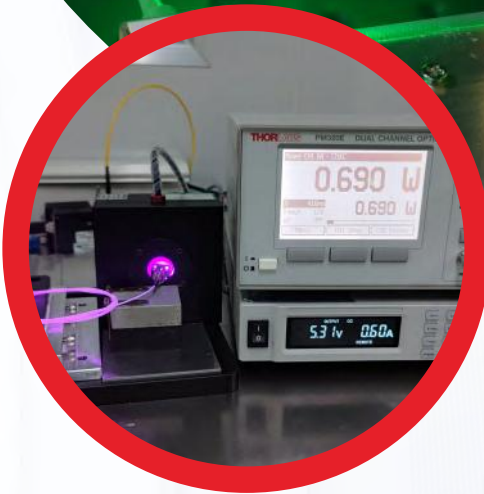
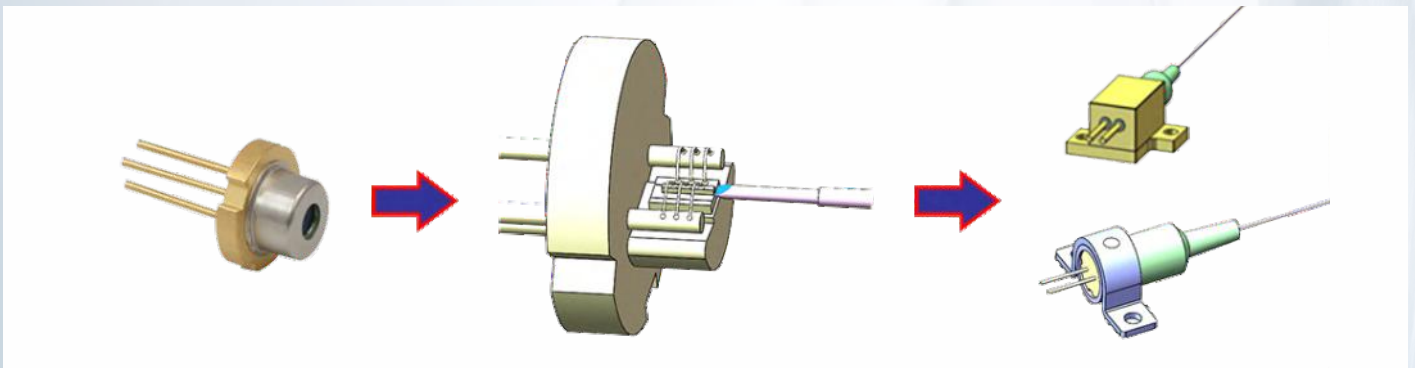
▶ INTRODUCTION

Photonstream offers a lensed fiber coupling to TO-Can diodes laser solution, base on this design we can align the lensed tip to the emitter directly without additional collimator and focus lens, for most TO5.6 and TO9.0, we can reform it to a fiber-coupled coaxial enclosure or planar package Laser.

▶ FEATURES

- ◆ Be available for all the TO5.6 and TO9.0 laser
- ◆ No wavelength limit
- ◆ Both applicable for single mode or multi-mode laser
- ◆ High power coupling efficiency >70%
- ◆ Cooper package, good heat dissipation
- ◆ Seal sealing for diode protection

▶ OPTICAL DESIGN CONCEPT

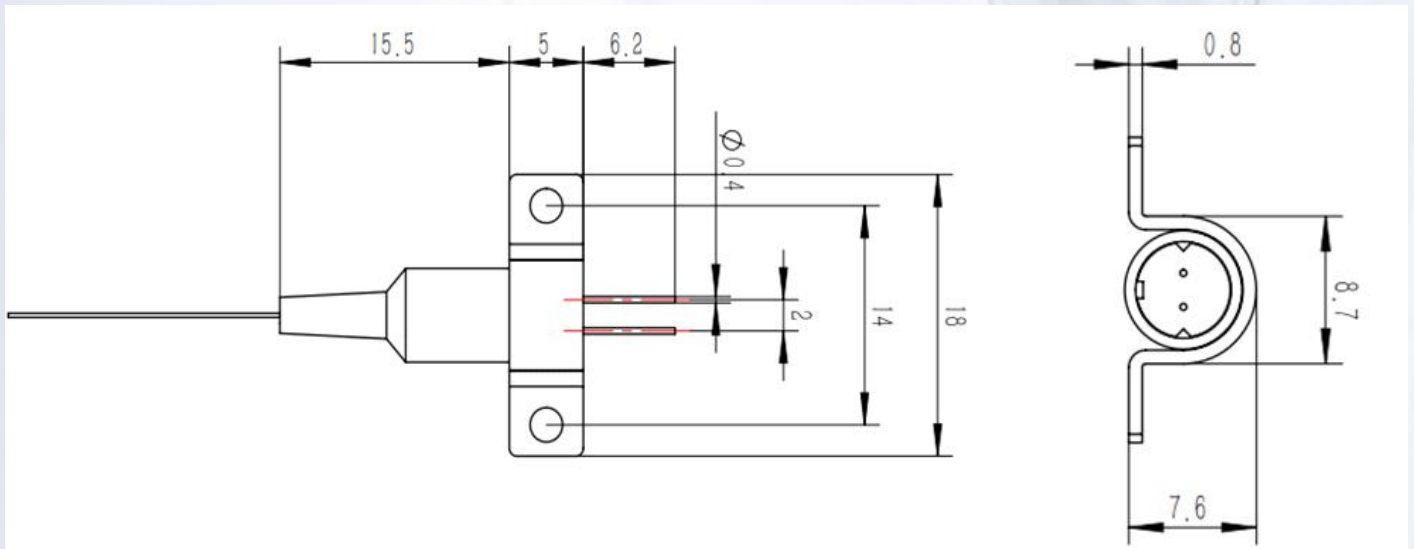


Shenzhen Photonstream Limited
Email: contact@photonstream.com
Tel: 0086-755-84166678
Fax: 0086-755-84560576
Web: www.photonstream.com
Add: 2F,BLDG 6,#168,ChangshanIZ,
Liulian,Pingdi,Longgang District,Shenzhen,China

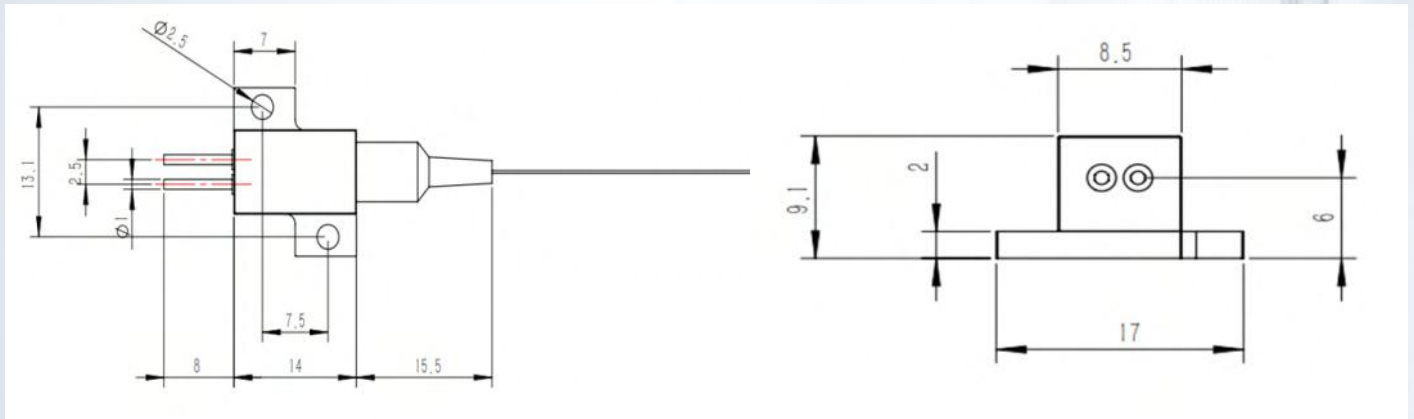


PACKAGE DIMENSIONS

1. TO5.6 coaxial laser fiber coupling output package



2. TO-CAN 5.6 reform to planar package with fiber tail output



3. TO-CAN 9.0 reform to planar package with fiber tail output

